

### Features

- Sleek, exposed stainless steel roller design allows for effortless opening and closing of the sliding panel.
- Frameless design emphasizes glass and creates a sleek, minimalist look.
- Full-length magnetic seal keeps door firmly closed, providing excellent water containment.
- Back-to-back 11-1/2" (292 mm) vertical shower door pulls.
- Coordinates with other products in the Composed® collection.
- CleanCoat® technology creates a protective barrier that repels water, prevents dirt and minerals from collecting, and makes it easier to remove hard water spots.

### Material

- Frameless, heavy 3/8" (10 mm) thick Crystal Clear tempered glass door and in-line panel.
- Anodized aluminum prevents rust and corrosion.

### Installation

- 78" (1981 mm) high, with 74-7/8" (1902 mm) minimum head clearance.
- Fits opening widths 56-1/8"–59-7/8" (1426 mm–1521 mm).
- 3-3/4" (95.25 mm) width adjustment.
- Out-of-plumb adjustability simplifies installation.
- Door can be installed to open to the left or right to suit your bathroom layout.
- Product ships in two boxes, offering easy handling.
- For residential use only.
- Not for use in hospitality.

### Recommended Products/Accessories

K-23723 Faucet cleaner

### Included Components

Product consists of:

K-706081-FL Fixed panel shower door

K-706081-ML Moving panel shower door



### Codes/Standards

ANSI Z97.1


CPSC 16CFR 1201

### KOHLER® One-Year Limited Warranty

See website for detailed warranty information.

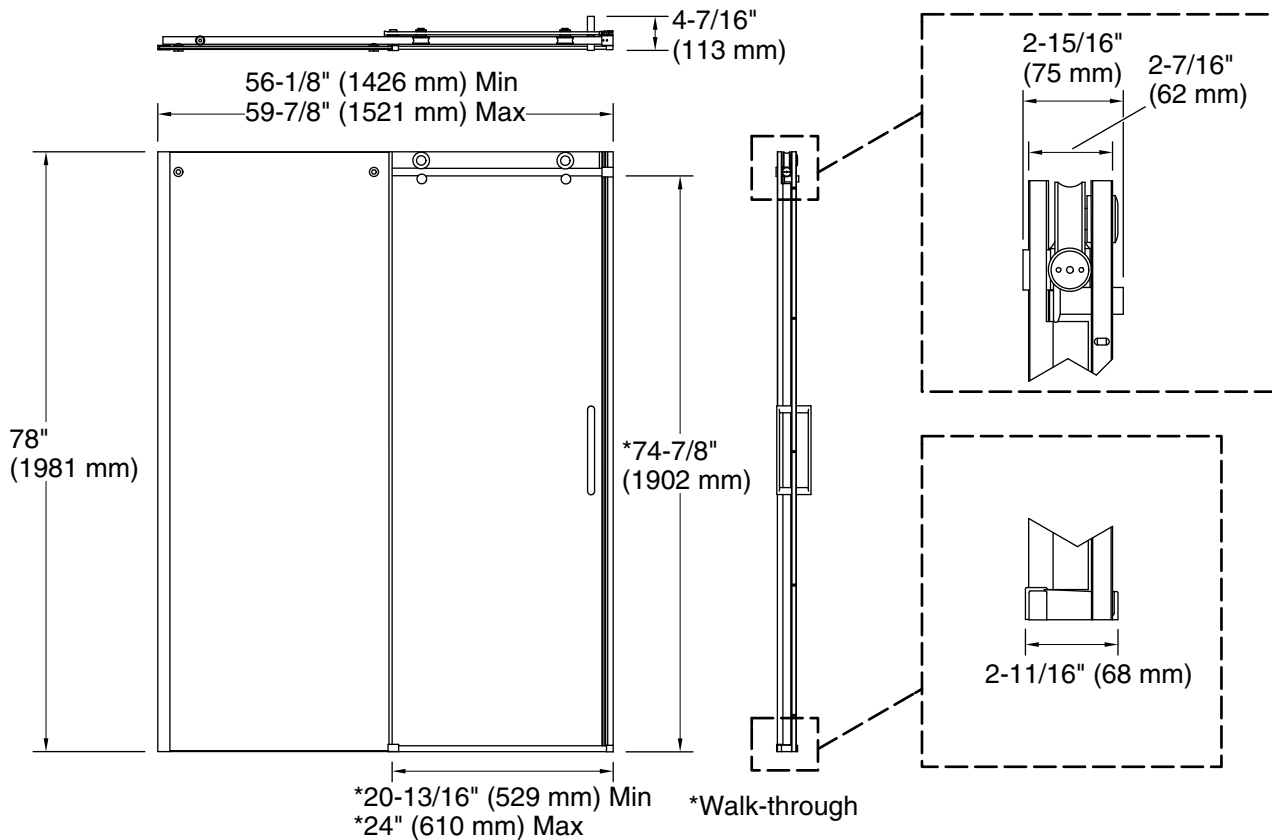
### Available Colors/Finishes

*Color tiles intended for reference only.*

Color	Code	Description
	SHP	Bright Polished Silver

### Available Glass Options

Code	Description
L	Crystal Clear



## Technical Information

All product dimensions are nominal.

Installation type:	For shower base installation
Opening Width - Min:	56-1/8" (1426 mm)
Opening Width - Max:	59-7/8" (1521 mm)
Walk-through - Min:	20-13/16" (529 mm)
Walk-through - Max:	24" (610 mm)
Base-To-Wall Radius - Max:	3/8" (10 mm)
Glass thickness:	3/8" (10 mm)
Glass coating:	CleanCoat

## Notes

Install this product according to the installation instructions.

The vertical opening should be a minimum of 80" (2032 mm) to allow for installation clearance.